

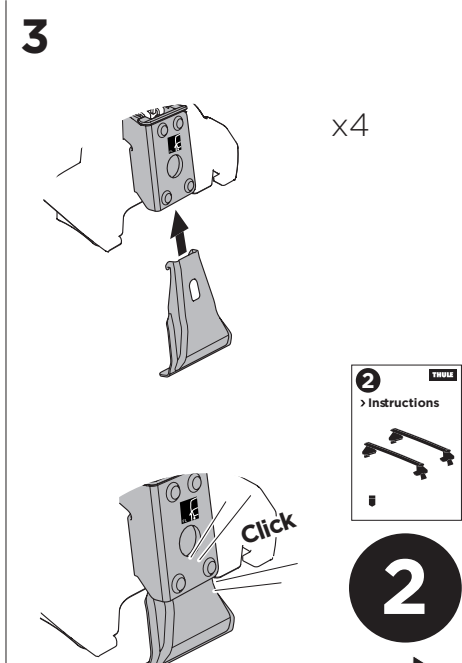
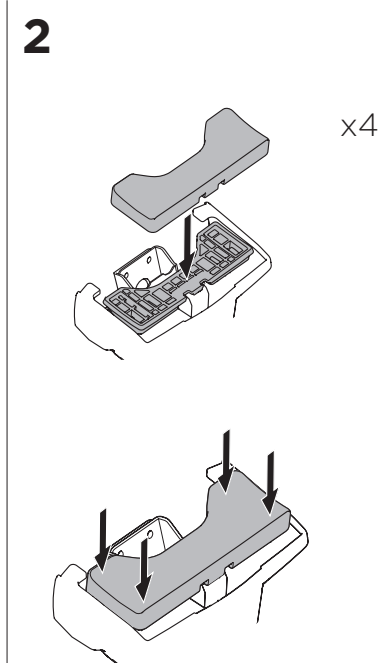
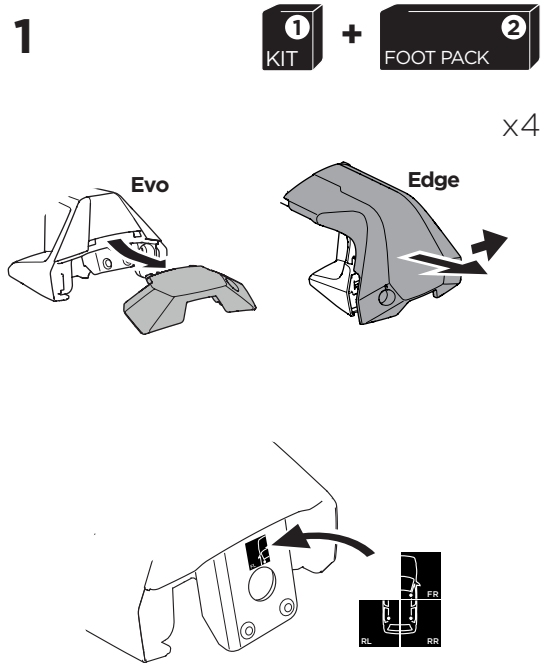
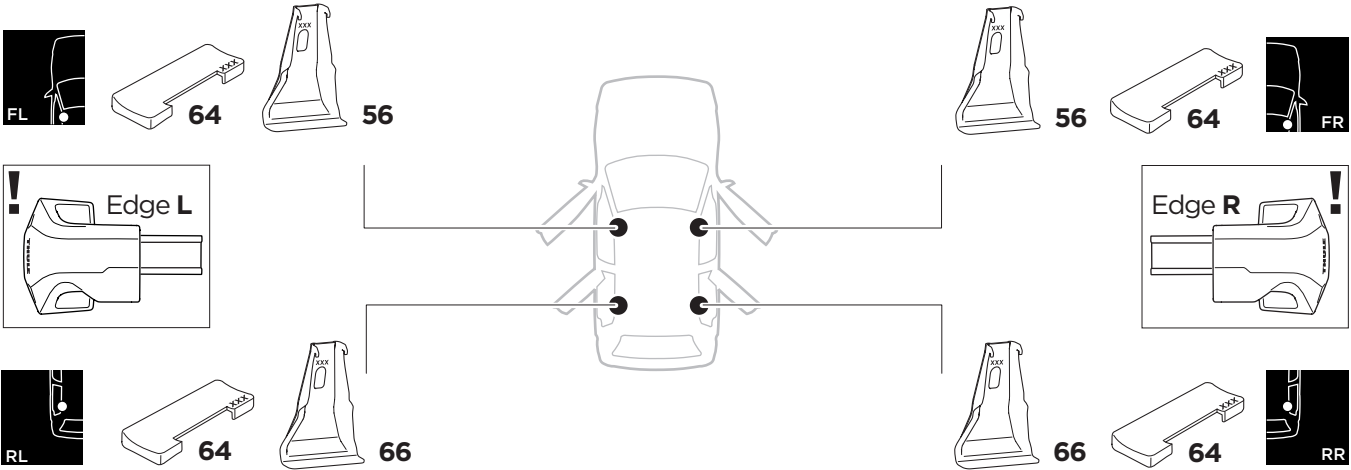
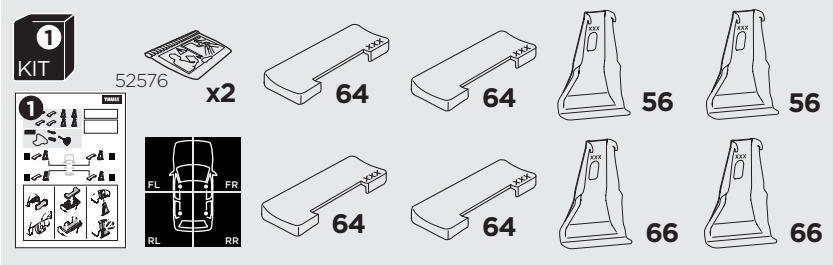
1

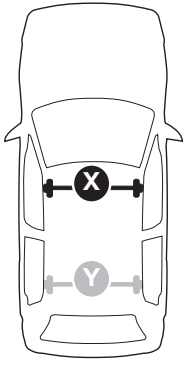
Kit 145005

MINI (F55), 5-dr Hatchback, 14-



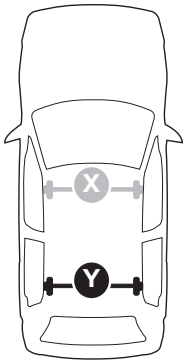
ISO 11154-E





THULE WingBar Evo	THULE WingBar Edge	THULE WingBar	THULE SquareBar	Evo X (scale)	Edge X (scale)
MINI (F55), 5-dr Hatchback, 14-				28	E

THULE ProBar	THULE SlideBar	X (mm/inch)		
MINI (F55), 5-dr Hatchback, 14-		931 mm / 36 5/8"		



THULE WingBar Evo	THULE WingBar Edge	THULE WingBar	THULE SquareBar	Evo Y (scale)	Edge Y (scale)
MINI (F55), 5-dr Hatchback, 14-				26,5	H

THULE ProBar	THULE SlideBar	Y (mm/inch)		
MINI (F55), 5-dr Hatchback, 14-		916 mm / 36 1/8"		

	W (mm/inch)	Z (mm/inch)
MINI (F55), 5-dr Hatchback, 14-	700 mm / 27 1/2"	315 mm / 12 3/8"

