

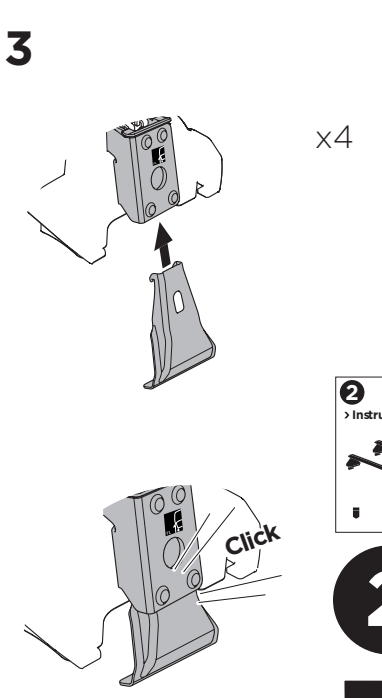
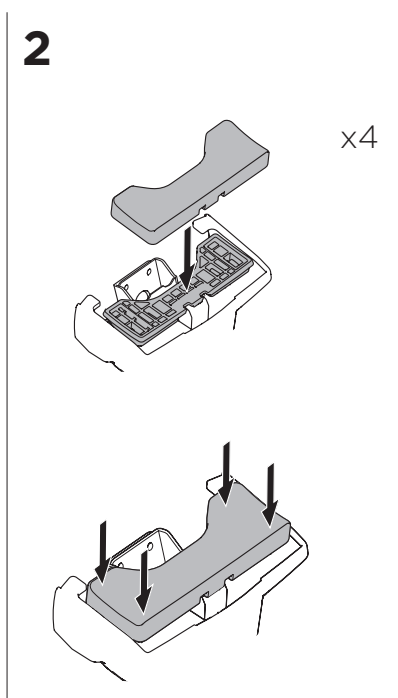
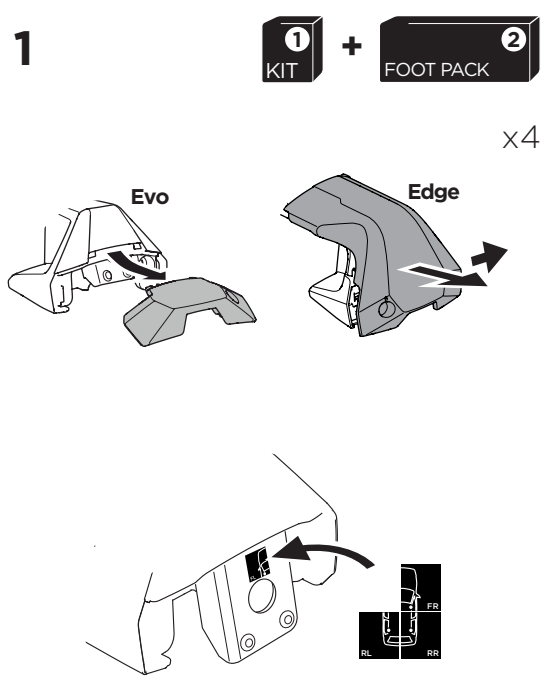
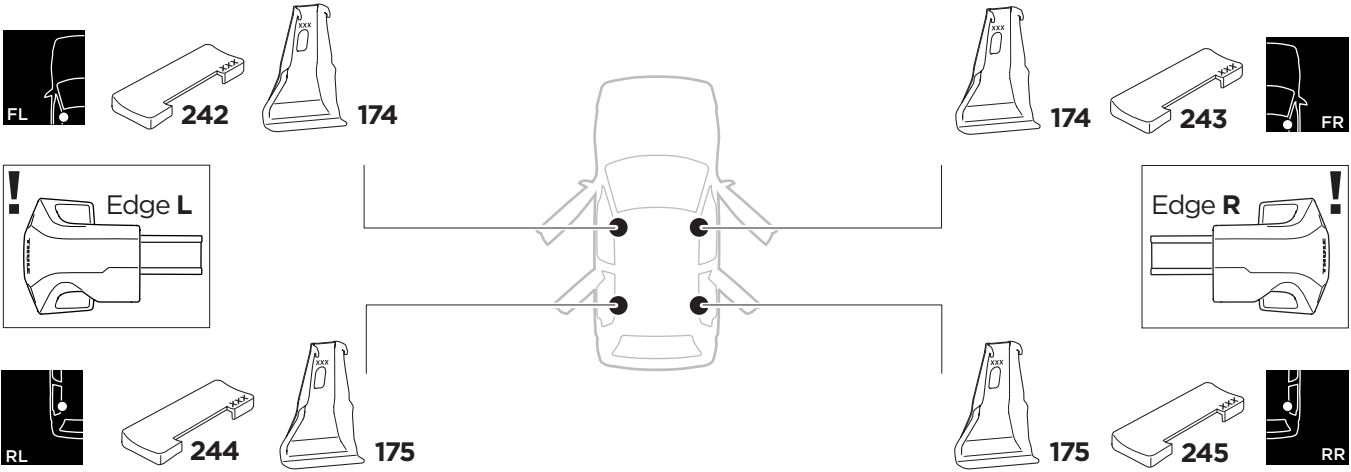
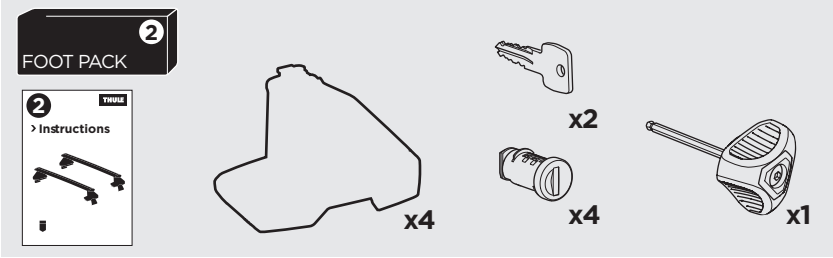
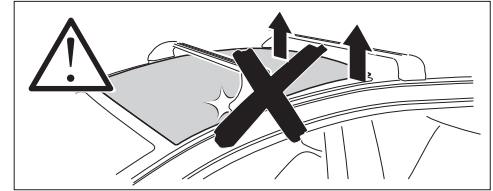
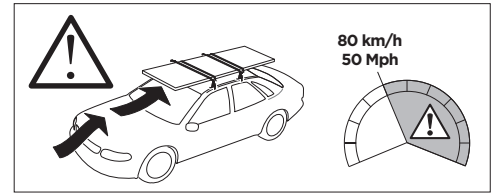
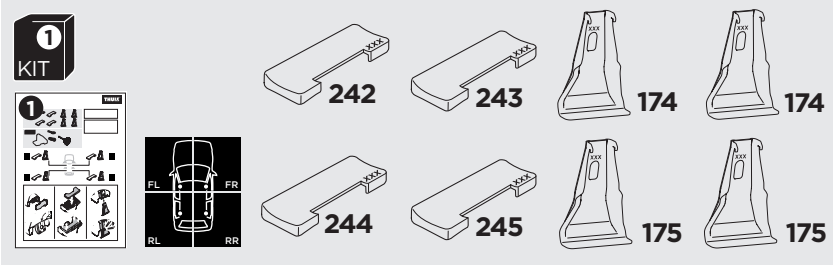
# 1

## Kit 145054

FORD Fiesta, 5-dr Hatchback, 18-



ISO 11154-E





THULE WingBar Evo	THULE WingBar Edge	THULE WingBar	THULE SquareBar	<b>Evo X (scale)</b>	<b>Edge X (scale)</b>
<b>FORD Fiesta, 5-dr Hatchback, 18-</b>				<b>37</b>	<b>E</b>
THULE ProBar	THULE SlideBar				<b>X (mm/inch)</b>
<b>FORD Fiesta, 5-dr Hatchback, 18-</b>				<b>1021 mm / 40 1/4"</b>	



THULE WingBar Evo	THULE WingBar Edge	THULE WingBar	THULE SquareBar	<b>Evo Y (scale)</b>	<b>Edge Y (scale)</b>
<b>FORD Fiesta, 5-dr Hatchback, 18-</b>				<b>30</b>	<b>A</b>
THULE ProBar	THULE SlideBar				<b>Y (mm/inch)</b>
<b>FORD Fiesta, 5-dr Hatchback, 18-</b>				<b>951 mm / 37 1/2"</b>	

	<b>W (mm/inch)</b>	<b>Z (mm/inch)</b>
<b>FORD Fiesta, 5-dr Hatchback, 18-</b>	<b>675 mm / 26 5/8"</b>	<b>175 mm / 6 3/4"</b>

