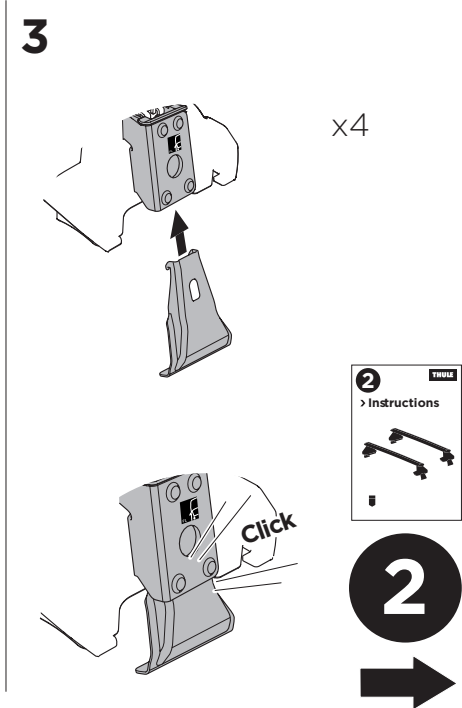
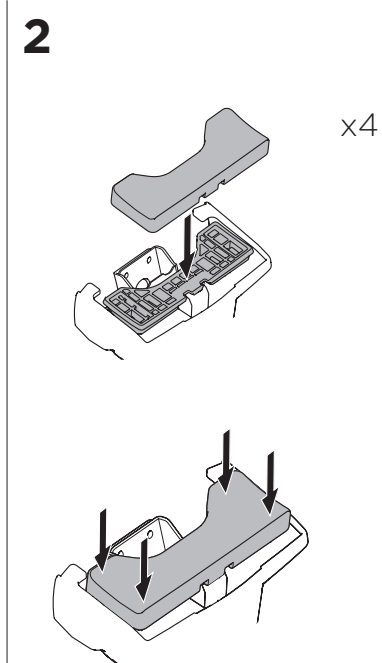
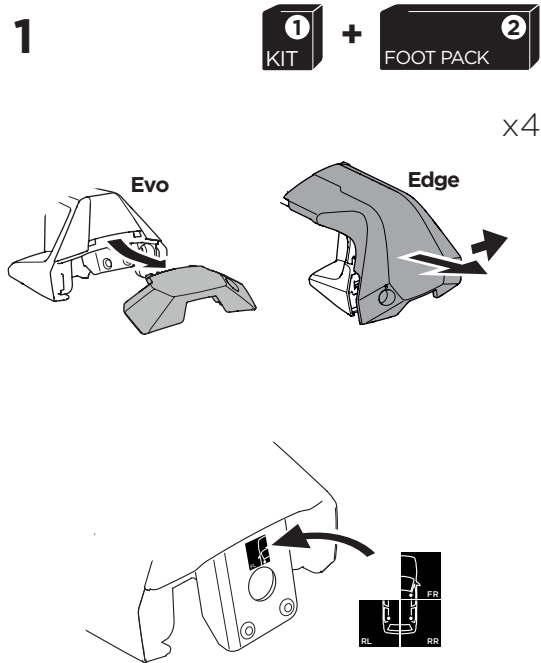
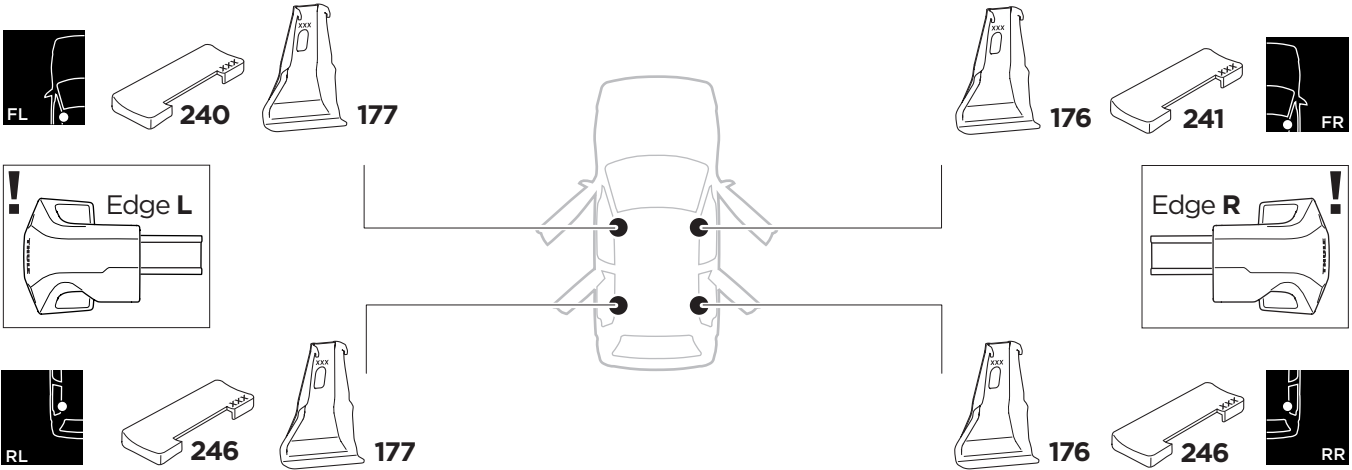
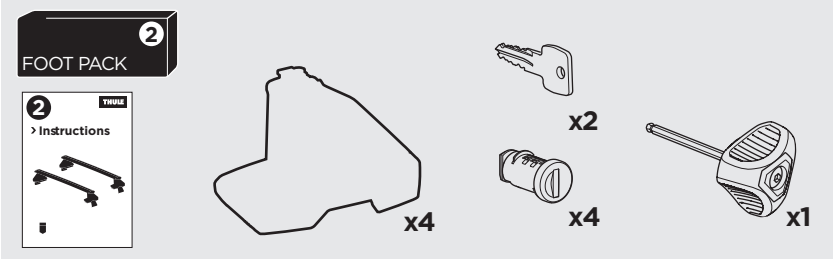
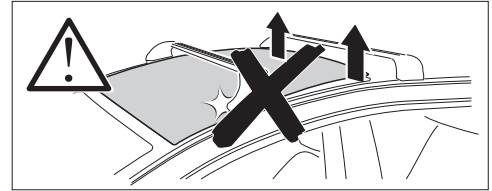
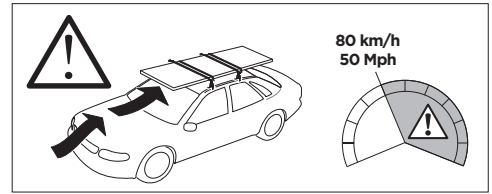
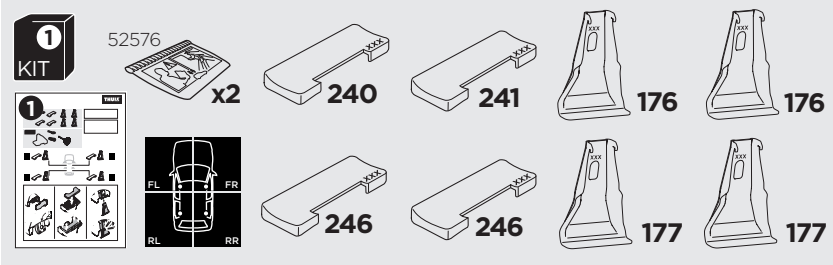


# 1

## Kit 145075

VOLKSWAGEN Arteon, 5-dr Hatchback, 17-

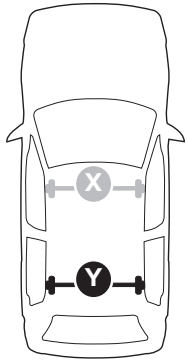
ISO 11154-E





THULE WingBar Evo	THULE WingBar Edge	THULE WingBar	THULE SquareBar	<b>Evo X (scale)</b>	<b>Edge X (scale)</b>
<b>VOLKSWAGEN Arteon, 5-dr Hatchback, 17-</b>				<b>47,5</b>	<b>B</b>

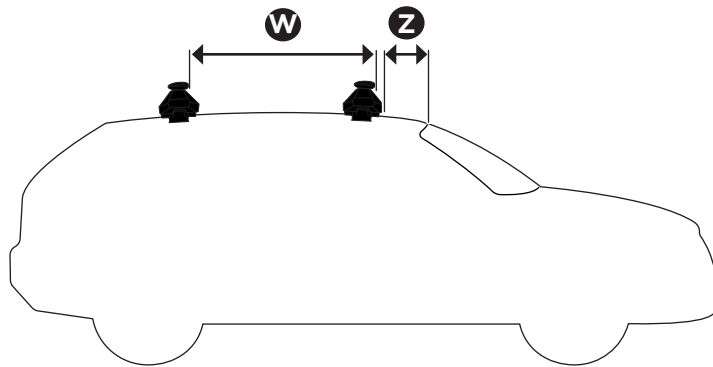
THULE ProBar	THULE SlideBar			<b>X (mm/inch)</b>	
<b>VOLKSWAGEN Arteon, 5-dr Hatchback, 17-</b>				<b>1126 mm / 44 3/8"</b>	



THULE WingBar Evo	THULE WingBar Edge	THULE WingBar	THULE SquareBar	<b>Evo Y (scale)</b>	<b>Edge Y (scale)</b>
<b>VOLKSWAGEN Arteon, 5-dr Hatchback, 17-</b>				<b>44</b>	<b>I</b>

THULE ProBar	THULE SlideBar			<b>Y (mm/inch)</b>	
<b>VOLKSWAGEN Arteon, 5-dr Hatchback, 17-</b>				<b>1091 mm / 43"</b>	

	<b>W (mm/inch)</b>	<b>Z (mm/inch)</b>
<b>VOLKSWAGEN Arteon, 5-dr Hatchback, 17-</b>	<b>755 mm / 29 3/4"</b>	<b>150 mm / 5 7/8"</b>



**i**

