

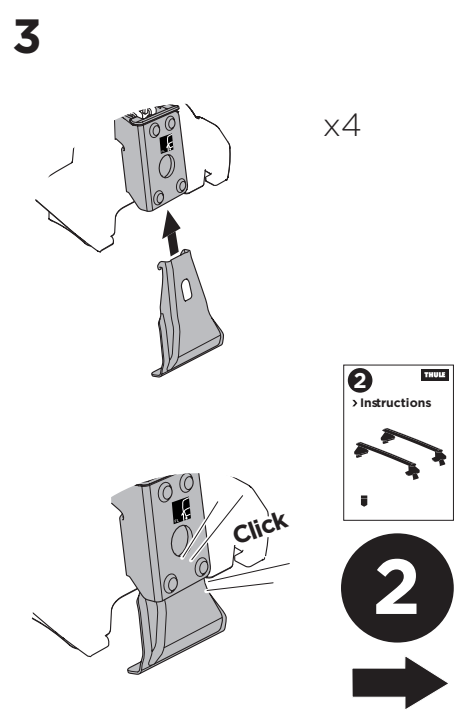
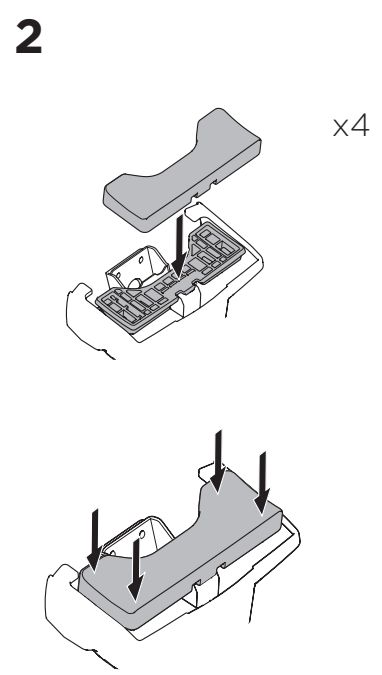
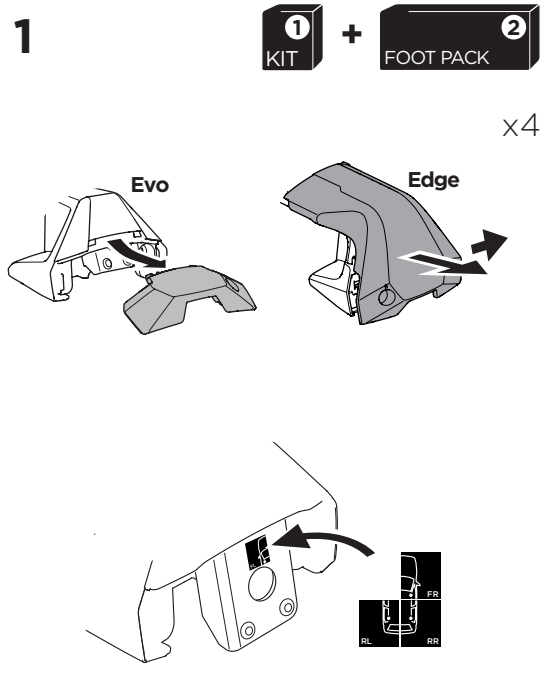
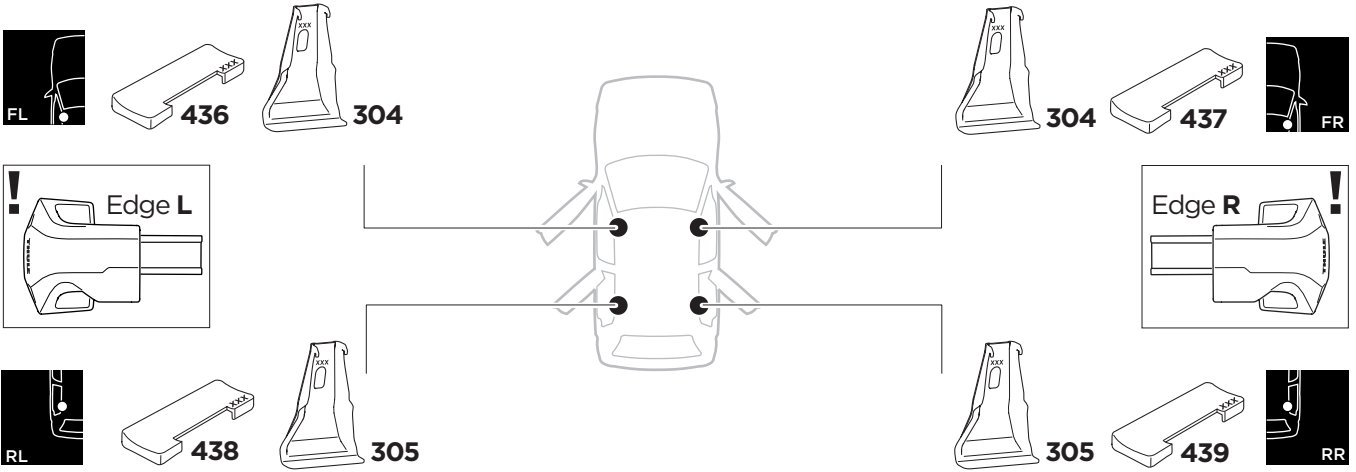
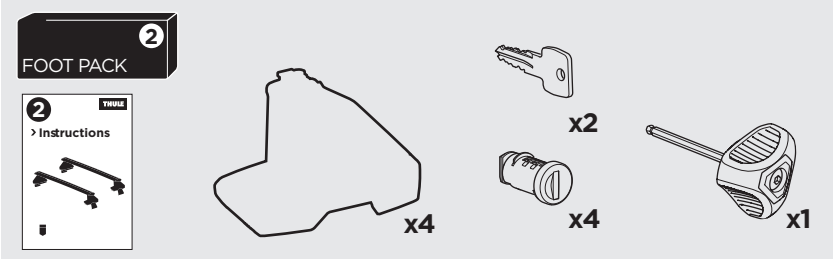
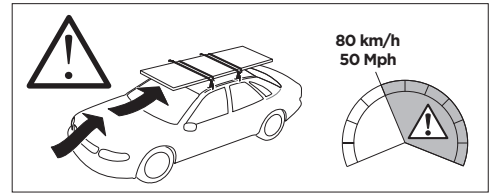
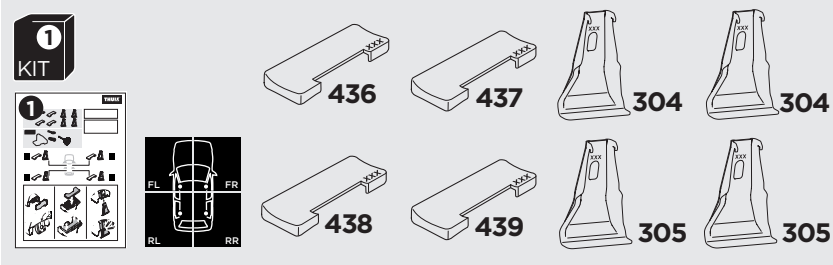
1

Kit 145145

BMW X6, 5-dr SUV, 15-



ISO 11154-E





| | | | | | |
|------------------------------|--------------------|---------------|-----------------|--------------------------|-----------------------|
| THULE WingBar Evo | THULE WingBar Edge | THULE WingBar | THULE SquareBar | Evo X (scale) | Edge X (scale) |
| BMW X6, 5-dr SUV, 15- | | | | 45,5 | F |
| THULE ProBar | THULE SlideBar | | | | X (mm/inch) |
| BMW X6, 5-dr SUV, 15- | | | | 1106 mm / 43 1/2" | |



| | | | | | |
|------------------------------|--------------------|---------------|-----------------|--------------------------|-----------------------|
| THULE WingBar Evo | THULE WingBar Edge | THULE WingBar | THULE SquareBar | Evo Y (scale) | Edge Y (scale) |
| BMW X6, 5-dr SUV, 15- | | | | 43,5 | J |
| THULE ProBar | THULE SlideBar | | | | Y (mm/inch) |
| BMW X6, 5-dr SUV, 15- | | | | 1086 mm / 42 3/4" | |

| | | |
|------------------------------|-------------------------|------------------------|
| | W (mm/inch) | Z (mm/inch) |
| BMW X6, 5-dr SUV, 15- | 700 mm / 27 1/2" | 180 mm / 7 1/8" |

